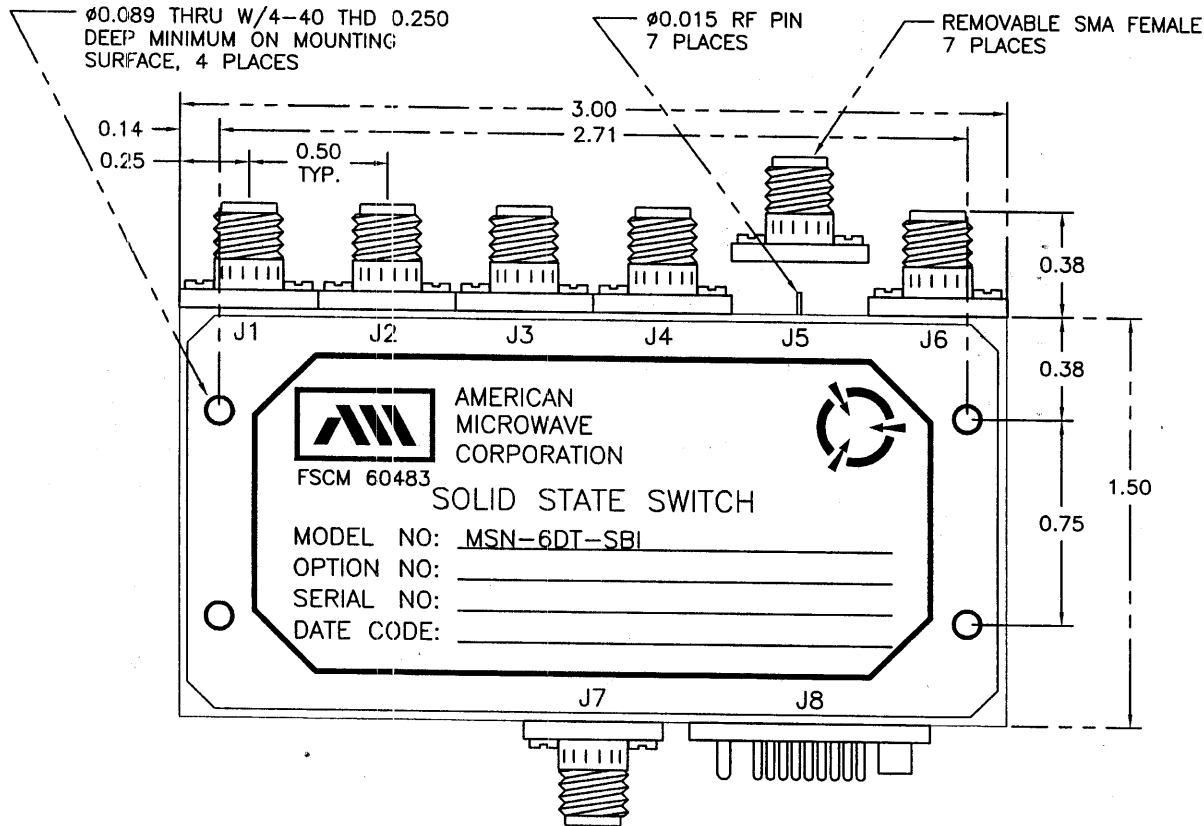


DESCRIPTION

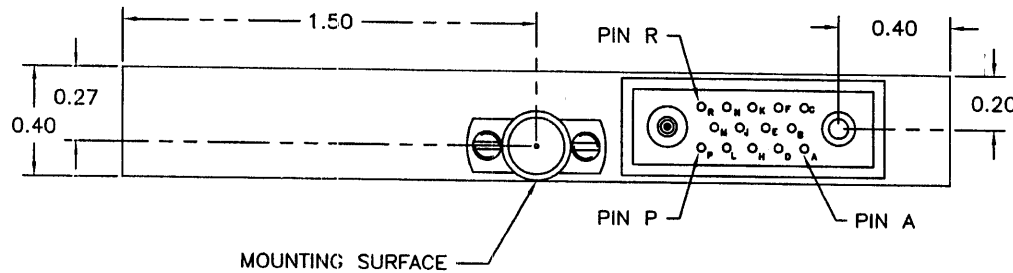
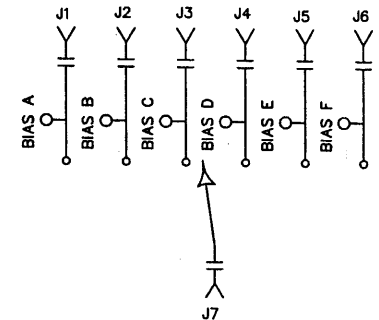
AMC MODEL MSN-6DT-SBI IS A SINGLE POLE SIX THROW ABSORPTIVE/NON-REFLECTIVE SWITCH DESIGNED TO OPERATE OVER THE FULL 2 TO 18 GHz FREQUENCY RANGE. IT IS CONTROLLED THROUGH A 14 PIN MULTIPIN CONNECTOR (MATING CONNECTOR IS FURNISHED).

REVISIONS				
ZONE	REV.	DESCRIPTION	DATE	APPROVED
	-	ORIGINAL RELEASE JOB# 409220PE	12/15/04	



MECHANICAL OUTLINE

BLOCK DIAGRAM



ALL DIMENSIONS ARE IN INCHES
 TOLERANCES:
 X.XX ± 0.020
 X.XXX ± 0.010

AMERICAN MICROWAVE CORPORATION

7311-G GROVE ROAD
 FREDERICK, MARYLAND 21704 USA
 TEL: 301-662-4700 FAX: 301-662-4938
 WEBSITE: www.americanmicrowavecorp.com
 E-MAIL: sales@americanmicrowavecorp.com
 ISO 9001:2000 CERTIFIED



APPROVALS		DATE	TITLE			REV.
DRAWN	<i>gdy</i>	12/15/04	MECHANICAL OUTLINE MSN-6DT-SBI			-
CHECKED	<i>PA</i>	1/14/05	2 - 18 GHz, SINGLE POLE SIX THROW SWITCH			-
ISSUED			SIZE	FSCM NO.	DWG NO.	
			A	60483	100-7237	
			SCALE	N:S	SHEET	2 OF 3

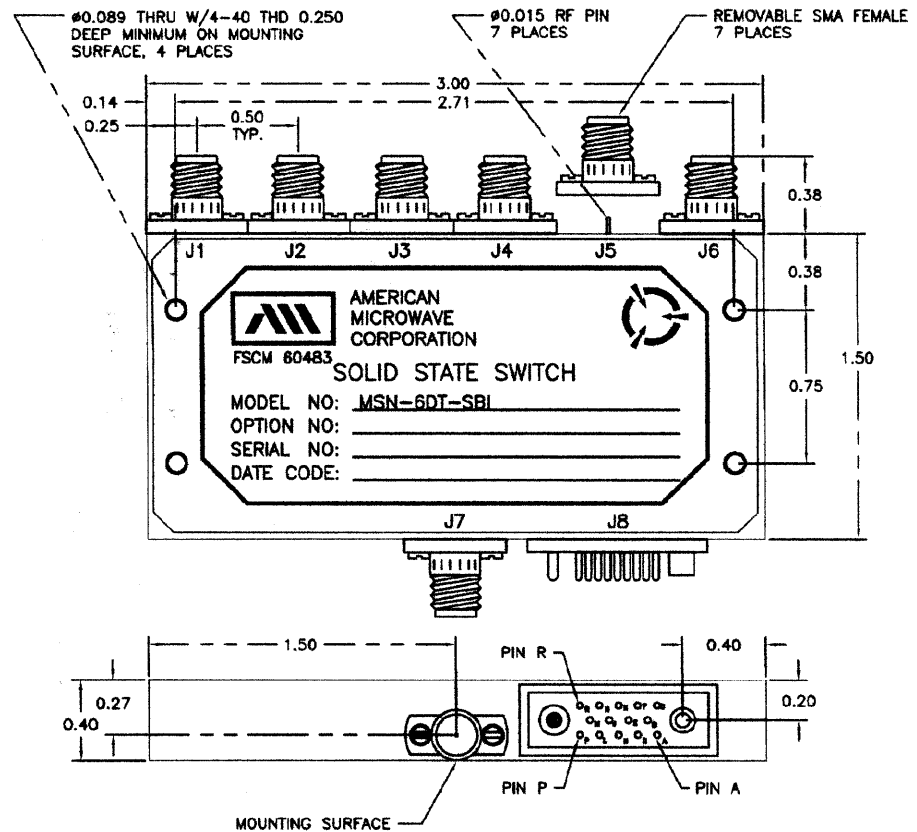
DESCRIPTION

AMC MODEL MSN-6DT-SBI IS A SINGLE POLE SIX THROW ABSORPTIVE/NON-REFLECTIVE SWITCH DESIGNED TO OPERATE OVER THE FULL 2 TO 18 GHz FREQUENCY RANGE. IT IS CONTROLLED THROUGH A 14 PIN MULTIPIN CONNECTOR (MATING CONNECTOR IS FURNISHED).

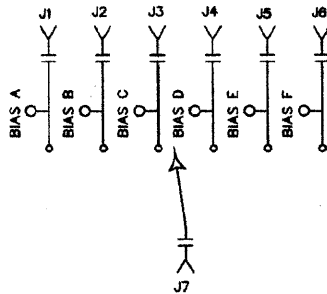
ZONE		REV.	DESCRIPTION	DATE	APPROVED
		-	ORIGINAL RELEASE JOB# 409220PE	12/15/04	

SPECIFICATIONS

- FREQUENCY RANGE: 2 TO 18 GHz
- INSERTION LOSS: 3.5 dB MAXIMUM
- ISOLATION: 60 dB MINIMUM
- VSWR: 2.0:1 ON / OFF
- RISE / FALL TIME : 15 nS MAXIMUM, 10 nS TYPICAL
- ON / OFF TIME : 50 nS MAXIMUM, 40 nS TYPICAL
- POWER INPUT: (CW)+20 dBm (STANDARD),
+10 dBm (HIGH SPEED)
- SURVIVAL POWER: 1 WATT CW, 10 WATTS PEAK 1 uSec
- CONTROL: SEE TABLE
- POWER SUPPLY: +15V @ 120 mA MAXIMUM
-5V @ 50 mA MAXIMUM
- SIZE: 3.00" (L) x 1.50" (W) x 0.40" (H)



BLOCK DIAGRAM



ENVIRONMENTAL RATINGS

- TEMPERATURE: -55°C TO +85°C (OPERATING)
-65°C TO +125°C (STORAGE)
- HUMIDITY: MIL-STD-202F, METHOD 103B COND. B
- SHOCK: MIL-STD-202F, METHOD 213B COND. B
- VIBRATION: MIL-STD-202F, METHOD 204D COND. B
- ALTITUDE: MIL-STD-202F, METHOD 105C COND. B
- TEMPERATURE CYCLE: MIL-STD-202F, METHOD 107D COND. A

NOTE: SPECIFICATIONS WILL VARY OVER OPERATING TEMPERATURE
NOTE: THE ABOVE SPECIFICATIONS ARE SUBJECT TO CHANGE OR REVISION

ALL DIMENSIONS ARE IN INCHES
TOLERANCES:
X.XX ±0.020
X.XXX ±0.010

AMERICAN MICROWAVE CORPORATION

7311-G GROVE ROAD
FREDERICK, MARYLAND 21704 USA
TEL: 301-662-4700 FAX: 301-662-4938
WEBSITE: www.americam Microwavecorp.com
E-MAIL: sales@americam Microwavecorp.com
ISO 9001:2000 CERTIFIED



APPROVALS		DATE	TITLE		
DRAWN		12/15/04	PRODUCT FEATURE		
CHECKED			MSN-6DT-SBI		
ISSUED			2 - 18 GHz, SINGLE POLE SIX THROW SWITCH		
SIZE	FSCM NO.	DWG NO.	REV.		
A	60483	100-7237	-		
SCALE N:S			SHEET 1 OF 3		